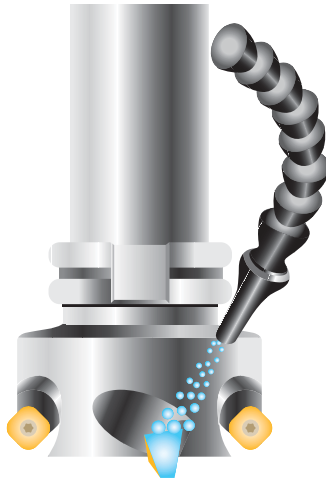


Accu-Lube[®]

User's Manual

Installation & Operating Instructions

FLR APPLICATOR



Filter/Lubricator/Regulator

For questions and/or product support contact the ITW ROCOL North America
Customer Service Department at 800-452-5823 ext. 2.

Accu-Lube LS-1 & LS-2

Non-Production Applicators Operating Instructions

Background Information

Accu-Lube applicators have been specifically designed to dispense controlled amounts of Accu-Lube lubricants for a variety of machining applications. Use of fluids other than Accu-Lube in these systems may result in damage to the applicator

Customer Service

If any damage has occurred submit a claim immediately with the delivery carrier. If any parts are missing, contact ITW Fluid Products Customer Service Department.

ITW Fluid Products Group

3624 West Lake Avenue • Glenview, IL 60025

Tel (800) 452-5823 • Fax (800) 952-5823

Tel (847) 657-5278 • Fax (847) 657-4897

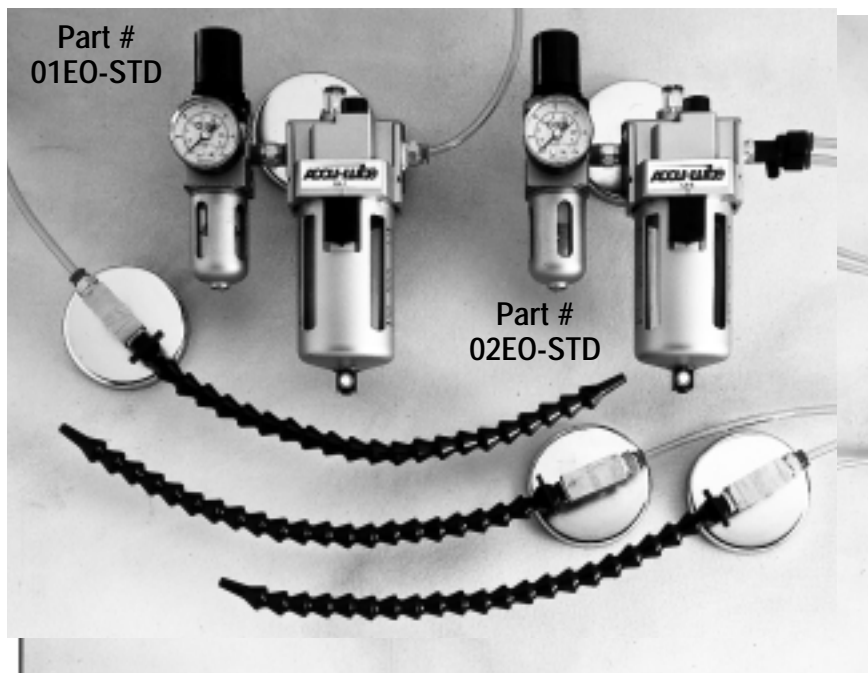
www.itwfpg.com

General Information

These systems are designed to be used with Accu-Lube lubricants. The use of certain types of fluids may cause damage to the unit. Please contact customer service before using any fluid other than Accu-Lube. To insure that the lubricator is adequately providing oil, do not allow the reservoir to run dry. The air filter will have to be drained occasionally. Moisture can condense in the filter bowl, and potentially contaminate the air supply.

Part#	Description
01EO-STD	1 Nozzle Applicator, FLR (Filter/Lubricator/Regulator) including 12" Loc-Line Nozzle with Magnetic Base and Magnetic Mount.
02EO-STD	2 Nozzle Applicator, FLR (Filter/Lubricator/Regulator) including 12" Loc-Line Nozzles with Magnetic Base and Magnetic Mount.

Accu-Lube LS-1 & LS-2

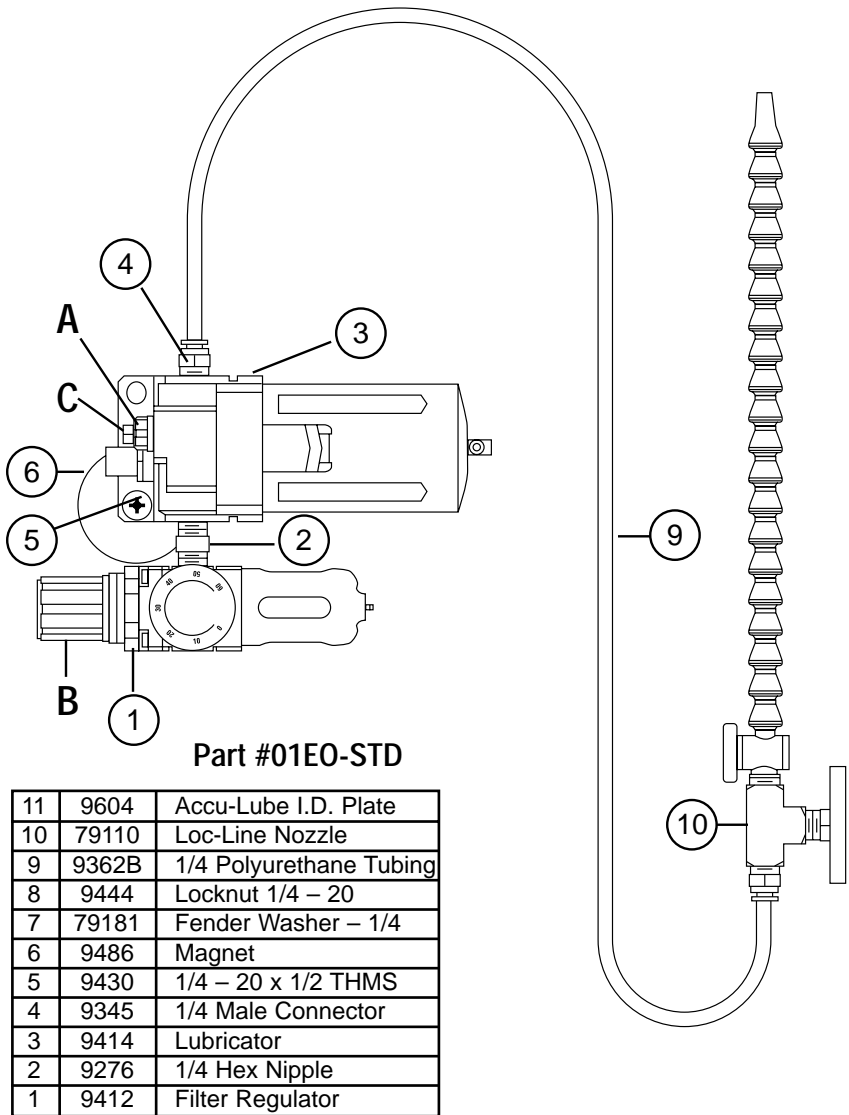


Operating Instructions

For the following instructions please refer to diagrams 1 & 2.

1. Mount the lubricator as vertical as possible to a stable object near where it is intended to be used, ie. wall, support post, or machine tool, etc. This can be done by means of the supplied magnetic mount or it can be hard mounted to the structure.
2. Remove the filler plug (item A) and fill reservoir with Accu-Lube fluid.
3. Attach the incoming air supply to the filter regulator. This is shown as item 1 in the drawing.
4. Adjust the air pressure entering the unit to between 20 psi and 40 psi. To do this turn the air pressure regulator (item B) clockwise to increase pressure or counterclockwise to decrease pressure.
5. Adjust the oil flow by turning the oil flow adjustment knob (item C) counterclockwise to decrease, or clockwise to increase the flow.
6. Position the nozzle(s) as needed to coat cutting edge of the tool with oil. For proper lubrication, oil must be supplied to the cutting edge of the tool before the cut is made.
7. The nozzle shut-off valve will need to be in the open position for the lubricator to work. The open position of the valve is when the lever is turned so that it is parallel with the nozzle.
8. Allow time for the air to build up enough siphon pressure to produce the mist.

Accu-Lube LS-1

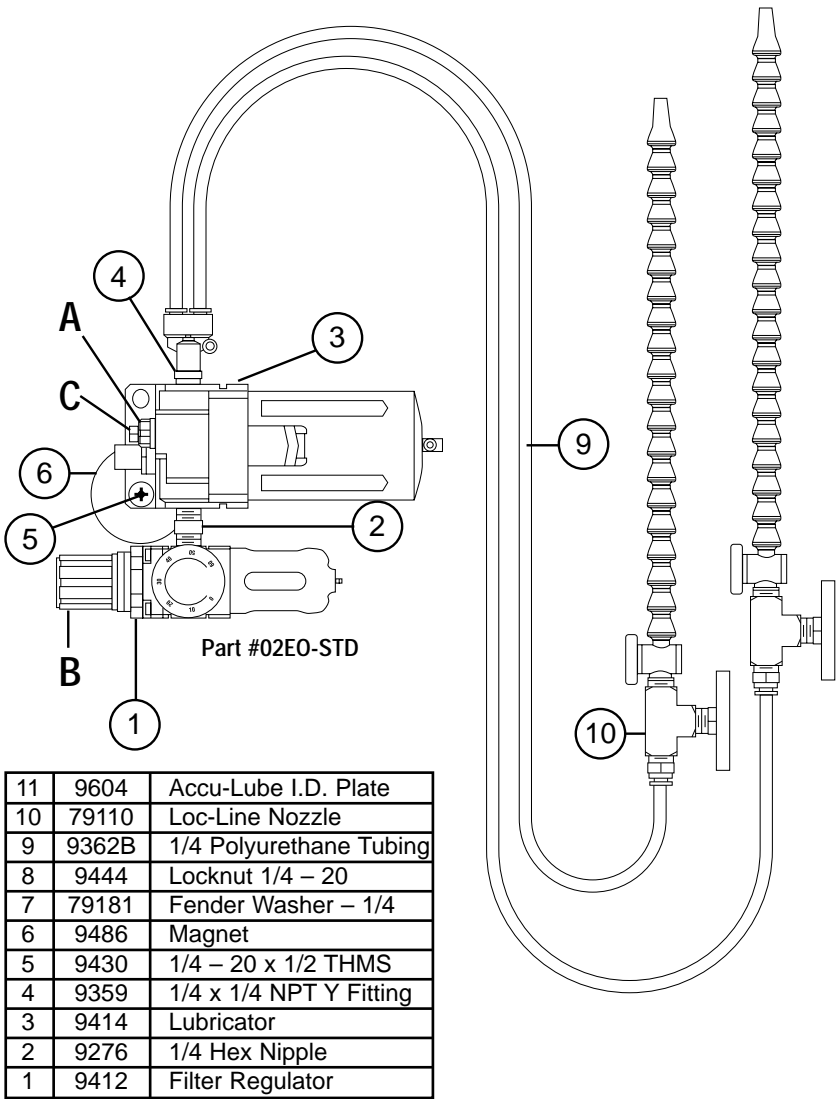


Note:

- 1) Items 7,8 and 11 are not shown.
- 2) Recommended operating pressure is 90–100psi.
- 3) All components are subject to change without notice.

Diagram 1
One Nozzle FLR Standard Applicator

Accu-Lube LS-2



Note:

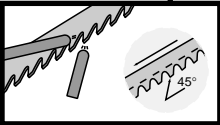
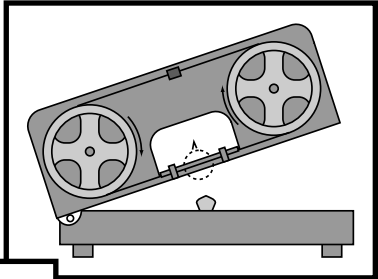
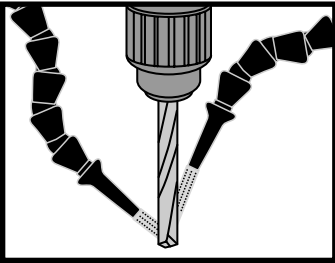
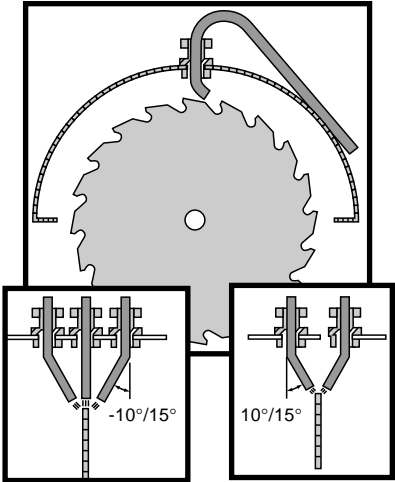
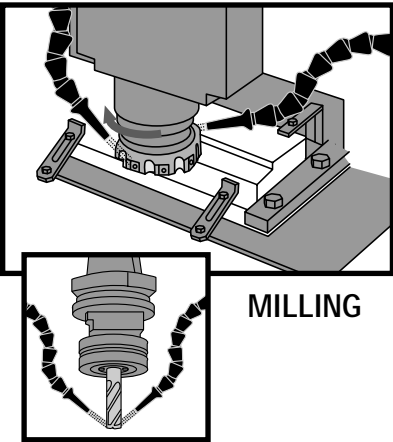
- 1) Items 7,8 and 11 are not shown.
- 2) Recommended operating pressure is 90-100psi.
- 3) All components are subject to change without notice.

Diagram 2
Two Nozzle FLR Standard Applicator

Nozzle Placement

Nozzle placement is very important in making the Accu-Lube lubricants and applications systems work effectively. The nozzles must be positioned in the following ways:

1. Nozzles must apply lubricant to the cutting edge (tooth) of a cutting tool before the tool makes a cut. This enables the Accu-Lube fluid to reduce the friction involved in the cutting operation.
2. Multiple nozzles are recommended for a number of machining operations. Please consult the factory for recommendations.
3. The nozzles should, in most cases be placed within 1" from the cutting tool.





Warranty Information

Every Accu-Lube LS-1 & LS-2 Applicator is warranted by Accu-Lube against defects in workmanship or materials under normal business use for a period of 90 days from the date of purchase. This warranty is only valid to purchasers that use the Accu-Lube LS-1 & LS-2 for normal business uses or original equipment manufacture. Any part which is returned to Accu-Lube and determined to be defective in material or workmanship will be repaired or replaced at the option of Accu-Lube. All warranties both expressed and implied become null and void when lubricant other than Accu-Lube or an approved equivalent is used in the warranted equipment.



User's Manual
Installation & Operating Instructions

FLR APPLICATOR

***TW* ROCOL® North America**

3624 West Lake Avenue, Glenview, Illinois 60026

Phone: 800-452-5823/847-657-5278

Fax: 800-952-5823/847-657-4897

info@rocolnorthamerica.com

www.rocolnorthamerica.com